

MULTIFRUIT SPEED CONTROL

The Speed Control system keeps the juicing power constant and checks the torque and the revolutions, providing more power if necessary.

Its Brushless induction motor ensures a working life 4 times greater than that of a conventional motor.

It doesn't require maintenance!

Triple safety detection!

Grating disc with central design which processes the fruit and helps to guide it.

Very easy to dismantle and clean. No tools needed!

How practical! No-drip tray and faucet which keep the working surface clean.

Shhhhhhh!
It's very quiet.

It incorporates a power switch which allows the **STANDBY** status, saving energy.

New LED indicator which shows when it is ready to start up.

Intuitive selector with 2 positions for soft fruit and hard vegetables.



ZUMEX GROUP, S.A.

Polígono Ind. Moncada III
C/Molí, 2 · 46113 · Moncada
Valencia · España

Tel. +34 961 301 251
Fax +34 961 301 255
zumex@zumex.com

www.zumex.com



THINK ABOUT WHAT JUICE YOU'D LIKE
AND IT'LL DO THE REST.

En

235.6194.100
Sept. 2011

zumex
LIFE ESSENCE



INTELLIGENT, EFFICIENT, FUNCTIONAL, SAFE, INTUITIVE... WE'VE RUN OUT OF ADJECTIVES!

As we have put all our experience, knowledge and technology into designing the most advanced juicer on the market, we were never going to be lost for words in describing it. Its Speed Control, its Brushless induction motor and its triple safety system are just some examples which demonstrate that intelligence can be designed.

Multifruit Speed Control is the perfect juicer for extracting the greatest amount of juice possible out of any type of fruit and vegetable. From apples, kiwi fruit or pineapples to carrots or celery, for instance.

Its modern centrifuge system and its efficient filtering system allow a high quality, pulp-free juice to be obtained.

With this juicer you will enjoy great gastronomic versatility in the preparation of any juice, cocktail or milk shake you can imagine.

In addition to its state-of-the-art, elegant and modern image, Multifruit Speed Control is designed to make your life easier by saving time, work and raw material.

Perfect for juice bars, "healthy food" restaurants, pubs, cocktail bars... and for all those locations which wish to provide high-quality, tasty natural juices.



MULTIFRUIT BLACK



MULTIFRUIT SILVER



MULTIFRUIT WHITE

THOSE LITTLE BIG DETAILS...

For the first time a rear power switch has been incorporated to allow STAND BY status, thereby saving energy. Its intelligent selector, unique in the market, adapts the power to the type of fruit or vegetable.



2 position selector:
Soft Fruit. Hard vegetables.



Non-drip faucet.



Removable drip tray.



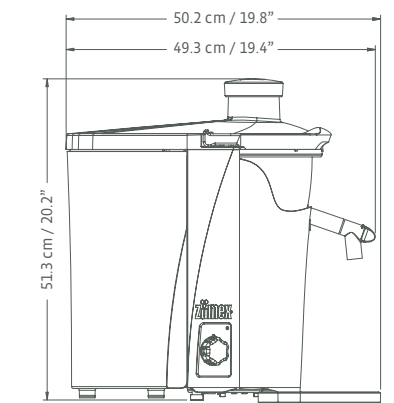
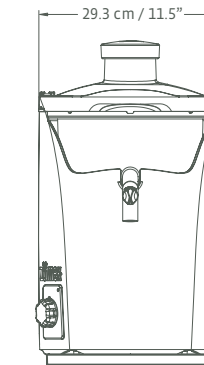
Broad inlet mouth (75 mm).



SILENT-BLOCK System. Anti-vibration.

MULTIFRUIT SPEED CONTROL IN DETAIL

Speed: 3500 / 4500 r.p.m.
Dimensions: 51.3 x 49.3 x 29.3 cm
Net weight: 15 kg
Nominal power: 700 W - 870 W
Anti-humidity protection: IPX2
Sound pressure level: Lower than 70 db (A)
Safety: Dual safety microswitch on handle and recipient.
Magnetic detector on waste bowl.
Thermal protection.



HIGH PERFORMANCE



	Position	Weight (kg)	Litres	Performance* %
Carrot	••	1	0.62	62 %
Fuji Apple	•	1	0.71	71 %
Pineapple	•	1	0.65	65 %
Celery	•	1	0.41	41 %

* Performance may vary in line with the variety of fruit and season.



The designs and specifications of the products in this catalogue can be modified without prior notice. Certifications may vary in line with the model and technical specifications.